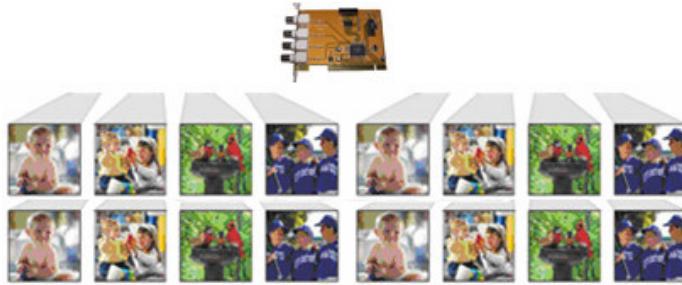




Built proudly with components from;

SONY LG eView! Panasonic SHARP

**DVR Output View (16):**



**Platinum Series,**

**DVR, PC based,  
16 Channel, Color,  
P/N MAF-0976**

**Price \$5476**

**BUY NOW**

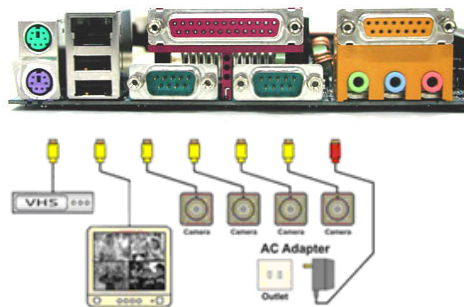
**Pictorial View:**



**Overview:**

eView DVR helps you to PROTECT your assets, PROTECT people and property, PREVENT accidents or wrongdoing, IDENTIFY perpetrators, OBSERVE processes, and most important of all realize PRODUCTIVITY throughout your organization.

**Rear Panel View:**



Digital Video Recorder or DVR records video data in digital format as opposed to the VCR's analog format. VCRs utilize analog tapes to record and play but DVRs encode video data in MPEG-1, MPEG-2 or MPEG-4 formats and store the data in a hard drive.

The eView DVR is a versatile but economical solution for monitoring multiple video feeds simultaneously. You can connect up to 4 cameras to the eView DVR and watch them all on one screen in color or black & white. eView DVR silver series is ideal for use in stores or businesses, or homes – where multiple cameras are used in monitoring.

Notice: PC back panel layout and components may change without notice. For the latest layout, check [www.Dell.com](http://www.Dell.com)

**Specification:**

<b>1. Product Name:</b>	
<b>Product Name:</b>	DVR, PC based, 4 Channel, Color
<b>Model Number:</b>	ET-QP4Q-1234
<b>UPC Code:</b>	12345678901, (11 Digits)
<b>2. System Documentation:</b>	<b>Model Number: ET-QP4Q-</b>
<b>Product Brochure:</b>	Marketing Brochure QP4C-01.pdf



**Package Contents:**

- 1 - DVR System, 4 channel
- 1 - Dell Dimension 3000 Desktop
- 16 - Color Camera, SONY CCD
- 16 - BNC connectors
- 1 - Siamese Cables, 1000 FT
- 1 - Dell 17 inch conventional CRT
- 1 - User's Manual

**User Manual:** #1041, Rev. 2  
**Installation:** 123-Easy.pdf

**3. Security Management Model Number: ET-QP4Q-**

**eView Security:** Free with all purchases completed by October of 2005.

eView's proprietary Security Management software, version 2.01 is a recommended add-on. eView Security is a powerful security package, interfacing Firewall, Antivirus and Encryption capabilities.



**4. Digital Camera Function : Model Number: ET-QP4Q-**

**Pickup Device:** 1/3" SONY CCD  
**Image Type:** Color  
**Device Type:** Digital Camera  
**Horizontal Resolution:** 420 TV Lines



**Picture Elements:** CCIR 500(H)×582(V), EIA 510(H)×492(V)  
**Sensing Area:** 4.9mm×3.7mm  
**System Of Signal:** CCIR/EIA  
**Sync Of Signal:** INT Sync  
**Lens Mount:** C/CS Mount  
**Electronic Shutter:** 1/50, 1/1000000 Second  
**Electronic Shutter Control:** ON/OFF Switch able  
**Auto Iris Lens:** DC/VIDEO  
**S/N Ratio:** More than 48db  
**Minimum Illumination:** 0.2Lux/F1.2  
**Lens Furnished:** Optional, Board lens f 3.6mm / F 2  
**Lens Focused:** 0  
**Auto Gain Control:** Yes  
**Auto White Balance:** Video  
**Gamma Characteristic:** 0.45  
**Video Output:** 1.0V(P-P)75Ω  
**Video Output Connector:** BNC  
**Power Supply:** DC 12V  
**Power Supply Connector:** 12v DC Adapter, 300 mA  
**Power Consumption:** 2.6 W  
**Operating Current:** 100mA  
**Operating Temperature:** 25C to 55C Degrees Centigrade  
**Size:** 145mm×70mm×65mm  
**Weight:** 250 grams

**5. Computer Function: Model Number: ET-QP4Q-1234**

**Dell System Summary:** Dimension 3000 - Celeron Intel® Celeron® D Processor 320 (2.40GHz, 533 FSB), Microsoft® Windows® XP Professional



**Dell Dimension:** Intel® Celeron® D Processor 320

**Features:**

- Motion Detection
- Smart Recording
- Live Display
- Masking Function
- Adjustable Video Resolution
- Recording Playback
- Audio Recording
- Remote Communications
- Alarm Notification
- Zoom in/Zoom out
- Large Storage Capacity
- Individual Camera Settings
- JPEG4 Compression
- RS232C, RS485 ports
- Pan, Tilt, Zoom, Remote Control,
- Network able
- Web Interface with TCP/IP

**eView Technologies** employs brand name components in manufacturing our various styles of surveillance cameras and DVR systems:

**Security Management**



**Computer**



**Digital Camera Components**



**Digital Camera Components**



**Digital Camera Components**



**Digital Camera Components**



**DVR System**



**Accessories**



**Documentation**



<b>3000 Series:</b>	(2.40GHz, 533 FSB)
<b>Memory:</b>	256MB DDR SDRAM at 400MHz
<b>Keyboard and Mouse Bundles:</b>	Dell Quietkey Keyboard and Dell 2-button Scroll Mouse
<b>Monitors:</b>	17 inch E773 (16 inch viewable) Conventional CRT
<b>Video Card 1:</b>	ATI RaDeon 7000 by VisionTek, PCI, 64MB
<b>Video Card 2:</b>	Integrated Intel® Extreme Graphics 2, onboard
<b>Hard Drive 1:</b>	80GB Ultra ATA/100 7200RPM Hard Drive
<b>Hard Drive 2:</b>	200GB Ultra ATA/100 7200RPM Hard Drive
<b>Floppy Drives and Additional Storage Devices</b>	No Floppy Drive Included
<b>Operating System:</b>	Microsoft® Windows® XP Professional
<b>Mouse:</b>	Mouse included with Keyboard purchase
<b>Network Interface:</b>	Integrated 10/100 Ethernet
<b>Modem:</b>	56K PCI Data/Fax Modem
<b>Adobe Software:</b>	Adobe® Acrobat® Reader 6.0
<b>CD or DVD Drive:</b>	Single Drive: 48x CD-RW Drive
<b>Sound Card:</b>	Integrated Audio
<b>Speakers:</b>	No speakers (Speakers are required to hear audio from your system)
<b>Office Productivity Software (Pre-Installed):</b>	No Productivity Suite - Corel WordPerfect® word processor only
<b>Security Software:</b>	No Security Subscription
<b>Digital Music:</b>	Dell Jukebox - easy-to-use music player and CD burning software
<b>Digital Photography:</b>	Photo Album™ SE Basic
<b>Limited Warranty, Services and Support Options:</b>	90 Days Ltd Warranty, 90 Days At-Home Service, and 90 Days Technical Spt
<b>Internet Access Services:</b>	6 Months of America Online Membership Included
<b>Miscellaneous:</b>	Award Winning Service and Support
<b>Financial Software:</b>	No QuickBooks package selected- Includes limited use trial
<b>Dell Media Experience:</b>	Dell Media Experience™
<b>Pre-Installed Productivity Software:</b>	Productivity Suite like Corel, WordPerfect®, word processor only

## Add On:

Add the following products to compete and complement your package.

- View 4 Cameras at once in B&W or
- Switch between four individual cameras in color
- Real-time refresh for "Live" viewing
- Works with any TV/VCR or security monitor
- Easy to install – plug & play
- Ideal for use in homes, stores, warehouse & etc

## Recommended Add On:

**eView Security** is a powerful security package, interfacing Firewall, Antivirus and Encryption capabilities. eView Technologies, secures your video data by providing secure platform to manage system security, firewall, antivirus, and encryption policies. eView Security's interface is informative, easy-to-understand, simple to use and navigate and designed for maximum protection the moment it is installed.

## 6. DVR System Function: Model Number: ET-QP4Q-

<b>DVR Card System Summary:</b>	Dimension 3000 - Celeron Intel® Celeron® D Processor 320 (2.40GHz, 533 FSB), Microsoft® Windows® XP Professional
---------------------------------	--



### 5a. Video Function:

<b>Video Signal:</b>	PAL/NTSC
<b>Video Input:</b>	4 Channels For Video Input(0.8 2VP-P/75Ω,BNC)
<b>Video Output:</b>	One Channel For Monitor Output (1VP-P/75Ω,BNC) One Channel For Video Output (1VP-P/75Ω,BNC)
<b>Picture Refresh Ratio:</b>	PAL: 50 Fields/Sec NTSC: 60 Fields/Sec
<b>Resolution:</b>	480 TVL
<b>S/N Ratio:</b>	More than 4dB
<b>Color:</b>	16.7 Million

### 5a. Recording / Play Function:

<b>VCR Function:</b>	VCR playback and output function
<b>Frame Rate:</b>	120 FPS
<b>Record Mode:</b>	Real-Time / Time-Lapse / Event / Function
<b>Track Play:</b>	Search, Still
<b>Date &amp; Time Display:</b>	Real Time Display

## Recommended Add On:

**eView Business** is a smart solution for small to mid-size organizations, to protect their organization assets using video surveillance technology. eView Business clientele can easily upgrade to e3 FrameWorks as their video surveillance security needs requires them to scale up to the next level.

eView Business is scheduled for general release by end of Q4 of 2005. If you would like to be notified upon our Beta software release, please contact us.

<b>Alarm:</b>	Video Loss Message Display And Bi-Bi Voice Alarm
<b>Auto Scan Time:</b>	1-99 Second Adjustable
<b>Backup:</b>	Internal HD
<b>Additional Backup:</b>	CD-R Writeable Drive for Backup
<b>Compression Format:</b>	MPEG-4
<b>5a. Viewing Function:</b>	
<b>Split Screen:</b>	Full, Quad, 9-Split, 16-Split Display
<b>Zoom:</b>	Live and Play Back Available
<b>Picture In Picture:</b>	Available
<b>Sequence:</b>	Full, Quad, 9-Split, 16-Split
<b>Picture Resolution:</b>	PAL: 720HX 576V NTSC: 720HX 480V
<b>Video Output Mode:</b>	Quadrant or Single Picture Display and Auto. Switchable; 1-4Camera Display Selectable
<b>5a. Other Function:</b>	
<b>Network able:</b>	Yes
<b>Web Interface:</b>	TCP/IP
<b>Ports:</b>	RS232C, RS485
<b>Configuration:</b>	Plug & Play
<b>Camera Control:</b>	Pan, Tilt, Zoom, Remote Control,
<b>Hard Drive:</b>	Internal, Included, 1 HD, 120 GB
<b>Optional Hard Drive:</b>	Internal, Internal, Max 3 HD expandable
<b>Power Supply:</b>	DC 12V 450mA/220V
<b>Power Consumption:</b>	10W
<b>Unit Size:</b>	370mm×218mm×44mm
<b>Unit Weight:</b>	0.9kg
<b>Warranty:</b>	12 Months

## Recommended Add On:

**e3 FrameWorks** is an enterprise solution, developed to automatically capture video information and translate it to tangible business intelligence. This is used by all ranks in an organization, to make a unified decision for total impact and productivity.

e3 FrameWorks enables a single human operator to monitor activities over a broad area using a distributed network of active video sensors. The sensor platforms are mainly autonomous, notifying the operator only of salient information as it occurs, and engaging the operator minimally to alter platform operations.

e3 FrameWorks is scheduled for general release by end of Q1 of 2006. If you would like to be notified upon our Beta software release, please contact us.